

Two and Six Station Pump Relays

Description:

Multi-station pump relay with electrically isolated inputs for use with common source water HVAC systems. The relay will turn on the pump when activated by any of the two or six inputs.

Specifications:

| | |
|----------------------------|---|
| Continuous AC current: | 18 Amps |
| Peak AC current: | 35 Amps |
| AC Line input: | 90 to 240 VAC |
| Trigger signal: | 90 to 240 VAC |
| Humidity: | 95% non-condensing |
| Temperature range: | -20°F to 140°F (28.9 to 60°C) |
| Board dimensions: | 4.45" x 4.125" (113mm x 105mm) |
| Board mounting dimensions: | (3.525" x 3.5" mounting template) (0.15" hole) (89.5mm x 88.9mm) (3.81mm hole) |
| Housing dimensions: | 8.25" x 6.25" x 2.67" (209.6mm x 158.75mm x 67.8mm) |

Product Ordering:

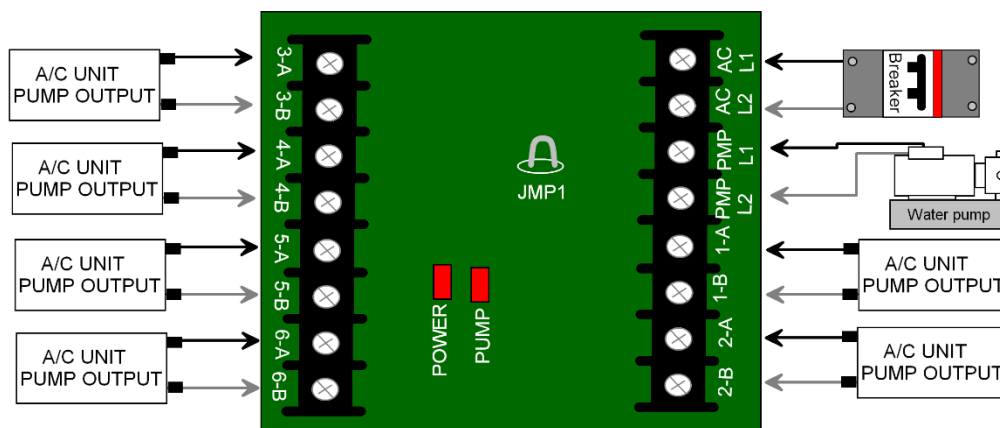
ASY-110-X01 Two station with enclosure

ASY-111-X01 Six station with enclosure

SUB-111-X1V Two station board only

SUB 111-X2V Six station board only

Typical Application Wiring:



Using External Contactors:

Use an external contactor for pumps exceeding the specifications above or for three phase pumps. Cut JMP1 only when using a contactor.

INSTALLATION WARNING:

This board must mount using only the four corner mounting holes in the circuit board. Some electrical enclosures may have additional mounting points that can contact the bottom of the circuit board. These mounting points must be removed prior to board replacement. Failure to follow this warning can result in irreparable damage to the circuit board that will void the warranty. Please contact Micro-Air with any questions regarding this warning.